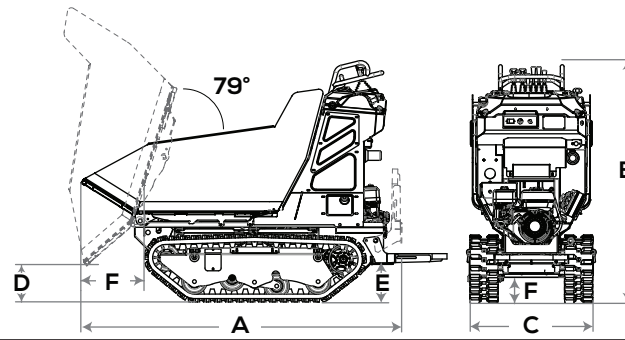


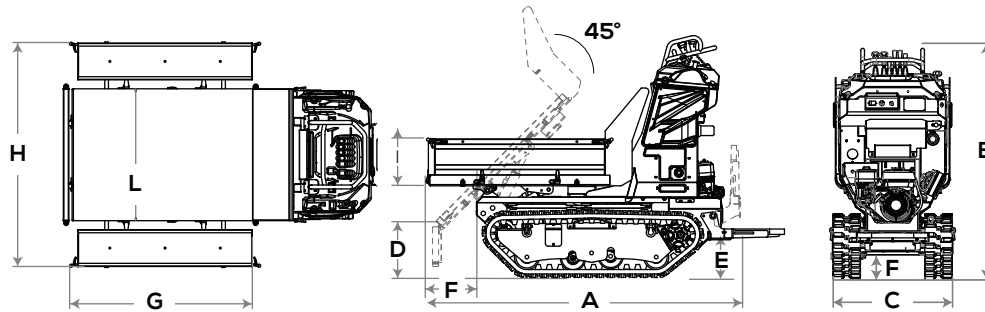
C55\_H1\_RI\_C



	mm	in
A	1760	69.3
B	1388	54.6
C	716	28.2
D	210	8.3
E	200	7.9
F	140	5.5

HEAPED SAE 0,28 m<sup>3</sup>

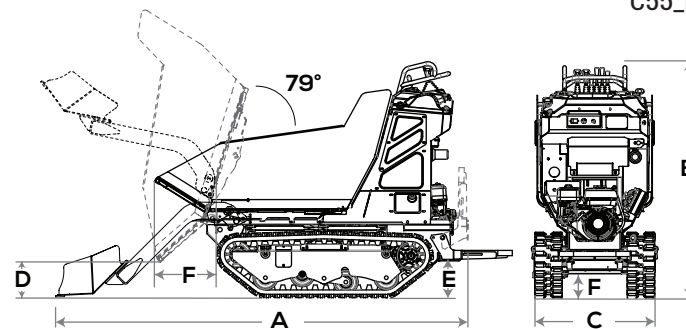
C55\_H1\_RIA\_C



	mm	in
A	1751	68.9
B	1388	54.6
C	716	28.2
D	315	12.4
E	200	7.9
F	140	5.5
G	980	38.6
H	1213	47.8
I	261	10.3
L	716	28.2

HEAPED SAE 0,21 m<sup>3</sup>

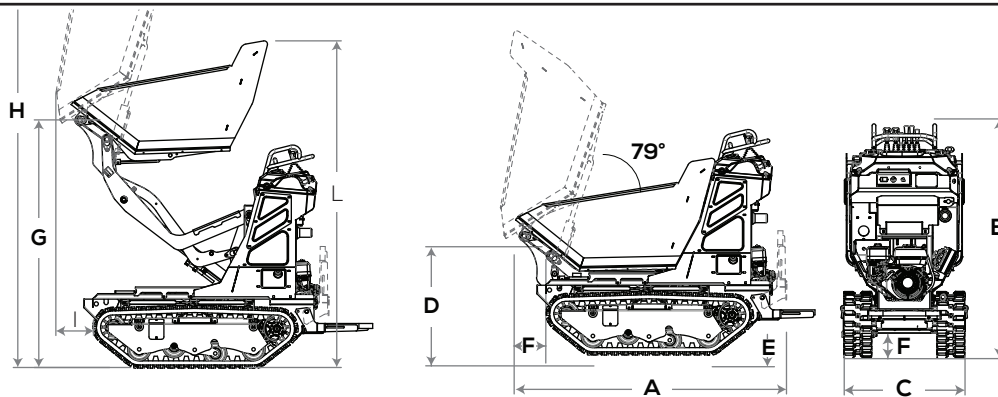
C55\_H1\_AC\_C



	mm	inch.
A	2300	90.6
B	1388	54.6
C	756	29.8
D	210	8.3
E	200	7.9
F	140	5.5

HEAPED SAE 0,28 m<sup>3</sup>

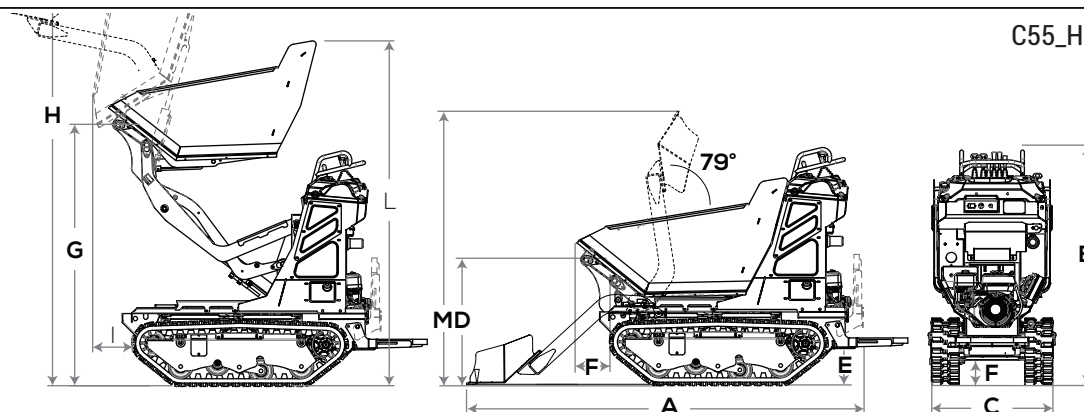
C55\_H1\_HI\_C



	mm	in
A	1670	65.8
B	1388	54.6
C	716	28.2
D	730	28.7
E	200	7.9
F	140	5.5
G	1540	60.6
H	2800	110.2
I	214	8.4
L	2033	80.0

HEAPED SAE 0,30 m<sup>3</sup>

C55\_H1\_HAC\_C



	mm	inch.
A	2300	90.6
B	1388	54.6
C	756	29.8
D	730	28.7
E	200	7.9
F	140	5.5
G	1540	60.6
H	2800	110.2
I	214	8.4
L	2033	80.0
M	1528	60.2

HEAPED SAE 0,30 m<sup>3</sup>